

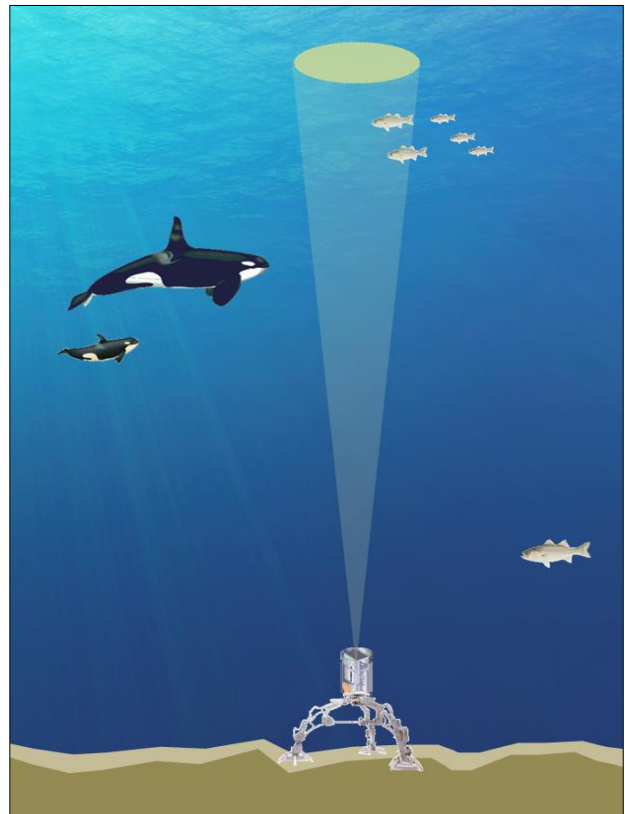
FOR IMMEDIATE RELEASE



October 20, 2010

**BioSonics Unveils Autonomous Submersible Echosounders: DT-X SUB**  
*New Self-Contained Sonar Can Boldly Go Where None Have Gone Before*

SEATTLE - BioSonics Inc., provider of innovative sonar solutions, has taken a quantum leap forward with its latest release, the *DT-X SUB*, a self-contained, programmable echosounder for scientific data collection. The system consists of a scientific echosounder with data storage and power systems integrated and packaged in a compact, waterproof housing. The BioSonics *DT-X SUB* is lightweight, has no external cabling and is intended for monitoring and assessing all types of aquatic organisms, from zooplankton to marine mammals. Company President Tim Acker explained his excitement about the new system; "This technology has the capacity to revolutionize hydroacoustics and greatly expand our understanding of the undersea world. It will enable data collection in environments never before possible."



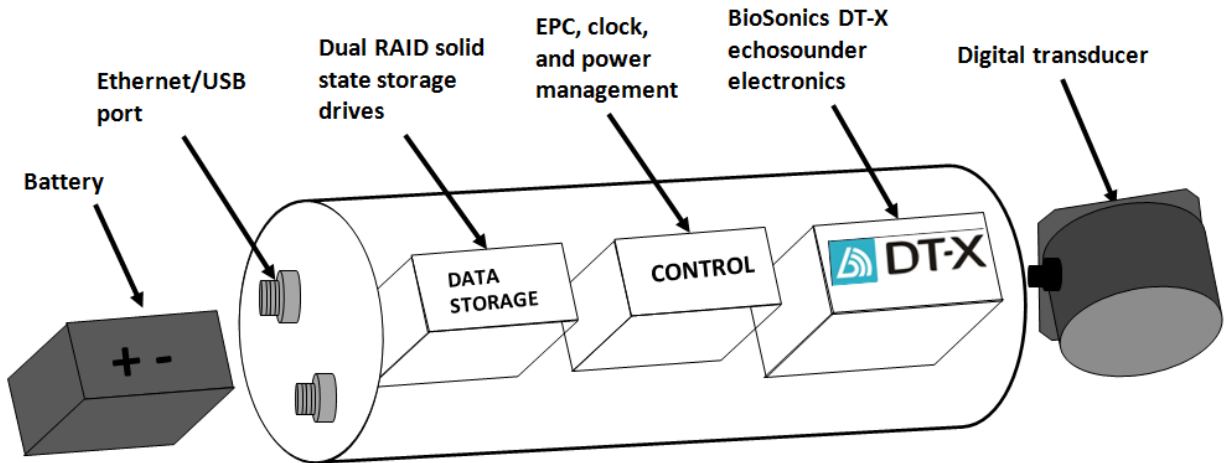
Concept drawing of DT-X SUB shown deployed from a seafloor tripod mount to collect data on all targets in water column

Development of the *DT-X SUB* was driven by increasing demand for information about aquatic animals' temporal behavior and distribution over time. Continuous, long-term underwater observation requires the use of autonomous, energy efficient monitoring devices. *The DT-X SUB* offers solid state RAID storage and fully programmable duty cycle and echosounder configuration, enabling the user to collect and store hydroacoustic data during the day and night, and during each tidal cycle for extended periods. For example, the echosounder can be programmed to ping for just several minutes each hour and switch to sleep mode the remainder of the time. This "smart" power management system greatly reduces power consumption and extends battery life. Power system functionality monitors available power levels and performs a controlled shut down when power runs low. The system can then automatically reboot only when power levels are restored.

FOR IMMEDIATE RELEASE



The system circuitry and features evolved from BioSonics' experience building customized echosounders for AUVs and underwater observatories where space and payload requirements are minimal. The new *DT-X SUB* offers a compact, lightweight design packaged in a 25 cm diameter housing that is 55 cm in length. Submersible to 1100 m, the *DT-X SUB* is ideal for ROV, AUV, or seafloor observatory deployments.



DT-X SUB system diagram

### About BioSonics

BioSonics is a manufacturing, consulting, and engineering firm specializing in the application of hydroacoustic (sonar) technology for monitoring and assessment of aquatic biological resources. For over thirty years, BioSonics scientific echosounders have been used for accurate assessment of fish abundance, distribution and behavior. Versatile and rugged design allow for installation in every aquatic environment imaginable. BioSonics offers a complete range of technical services to meet the unique criteria of each client's project goals and site requirements. Survey design, installation, data collection, environmental monitoring, data processing, analysis and reporting are our specialties.

### Contact

Eric Munday, General Sales Manager, BioSonics, Inc., [emunday@biosonicsinc.com](mailto:emunday@biosonicsinc.com)